



E.T.C AUSTRALIA

Tel:+61 08 9437 1313 Fax:+61 08 9437 1103



ETC DBS 24/630 Shielded Sub-Connector

Up to 24kV, 630 Amp Class



DBS 24/630
Shielded Sub-Connector

General:

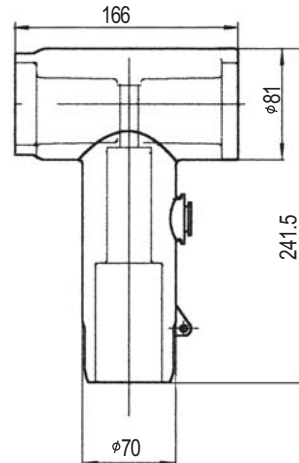
The ETC DBS 24/630 Shielded Sub-Connector is a shielded and insulated termination, rated 630 amps, up to 24kV, connected with underground cable ranging from 35 to 400 mm² (conductor cross section). It meets the requirements of DIN 47636 Standard.

The ETC DBS 24/630 Shielded Sub-Connectors are molded using high quality peroxide-cured EPDM insulation. It is used to terminate high-voltage underground cable to switchgear, RMU and 630 amps junctions equipped with deadbreak bushings. Shielded Sub-Connectors are designed for used on solid dielectric cable (XLPE or EPR). In order to provide more cable branch circuits, the Shielded Sub-Connectors can be connected with the ETC DB 24/630 Shielded Fore-Connector .

Electrical Characteristics:

Voltage Ratings and Characteristics	
Description	kV
Standard Voltage Class	24
Maximum Rating Phase-to-ground	12
AC 50 Hz 1 Minute Withstand	54
DC 15 Minute Withstand	48
BIL and Full Wave Crest	125
20kV Partial Discharge	≤10pc
Current Ratings and Characteristics	
Description	Amperes
Continuous	630A
24 hour overload	1000
Short Time	50,000 A rms symmetrical for 0.3s 20,000 A rms symmetrical for 4.0 s
Electrical characteristics are in accordance with or exceed DIN 47636 and IEC 60502.4-1997s standards.	

DIMENSION(mm)



Main Packaging List:

1	Shielded Sub-Connector	7	Installation Instruction Sheet
2	Cable Adapter (or Surge Arrester)	8	Silicone Lubricant
3	Compression Connector	9	Cleaning Paper
4	Insulating Plug	10	Cable Preparation Template
5	Threaded Stud	11	1.5mm ² Copper Ground Wire
6	Quality Certificate	12	Test Point Cap



E.T.C AUSTRALIA

Tel:+61 08 9437 1313 Fax:+61 08 9437 1103



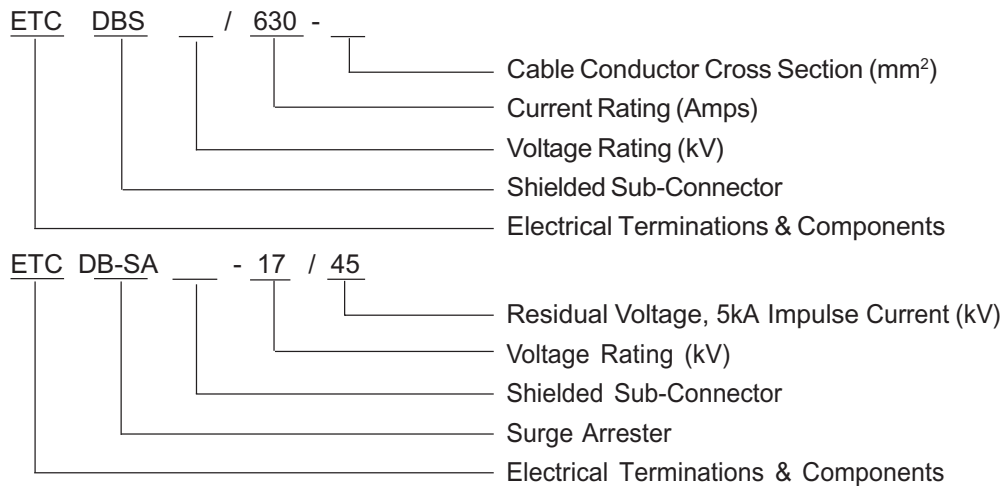
630-07

Ordering Information:

To order a 630 amps, 24 kV Shielded Sub-Connector. Please refer to the CODE INFORMATION and select the proper Catalogue Number below.

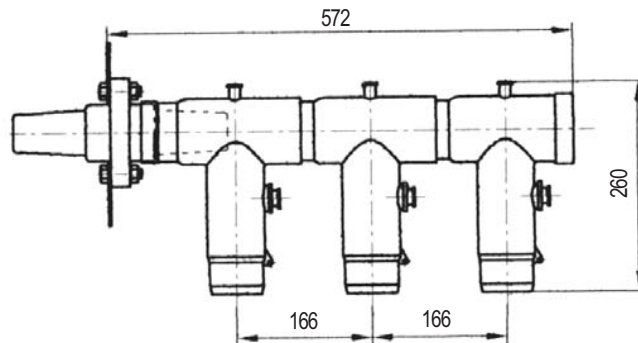
Catalogue Number	Conductor Cross Section(mm ²)*	Current(Amps)
ETC DBS 24/630-35	35	630
ETC DBS 24/630-50	50	630
ETC DBS 24/630-70	70	630
ETC DBS 24/630-95	95	630
ETC DBS 24/630-120	120	630
ETC DBS 24/630-150	150	630
ETC DBS 24/630-185	185	630
ETC DBS 24/630-240	240	630
ETC DBS 24/630-300	300	630
ETC DBS 24/630-400	400	630

Code Information:



Typical Arrangement:

Two Side Bushing + Shielded Fore-Connector + Shielded Sub-Connectors x 2



Special Operating Tools: (1) Ø 9.6 Type T -Wrench (2) Ø 17 Sleeve Wrench.

More Information for cable accessories, installation instructions, technical questions. Please contact your local Electrical Terminations & Components representative or visit our website <http://www.etcaustralia.com.au>